

2' x 6' Benching Workstation

44"H Panels with 9"H Frameless Frosted Plexiglass
National Code Power, (2) Duplex Receptacles per unit,
LP Surfaces + Refurbished Pedestals

\$2150 per station list

*List price based on six pack configuration

6' x 6'

50"H Panels

National Code Power, (2) Duplex Receptacles per unit,
LP Surfaces + Refurbished Pedestals

\$3285 per station list

*List price based on four pack configuration

6' x 6'

50/64"H Panels

National Code Power, (2) Duplex Receptacles per unit,
LP Surfaces + Refurbished Pedestals

\$3880 per station list

*List price based on four pack configuration

6' x 8'

56/64"H Panels

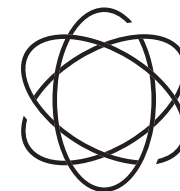
National Code Power, (2) Duplex Receptacles per unit,
LP Surfaces + Refurbished Pedestals

\$5080 per station list

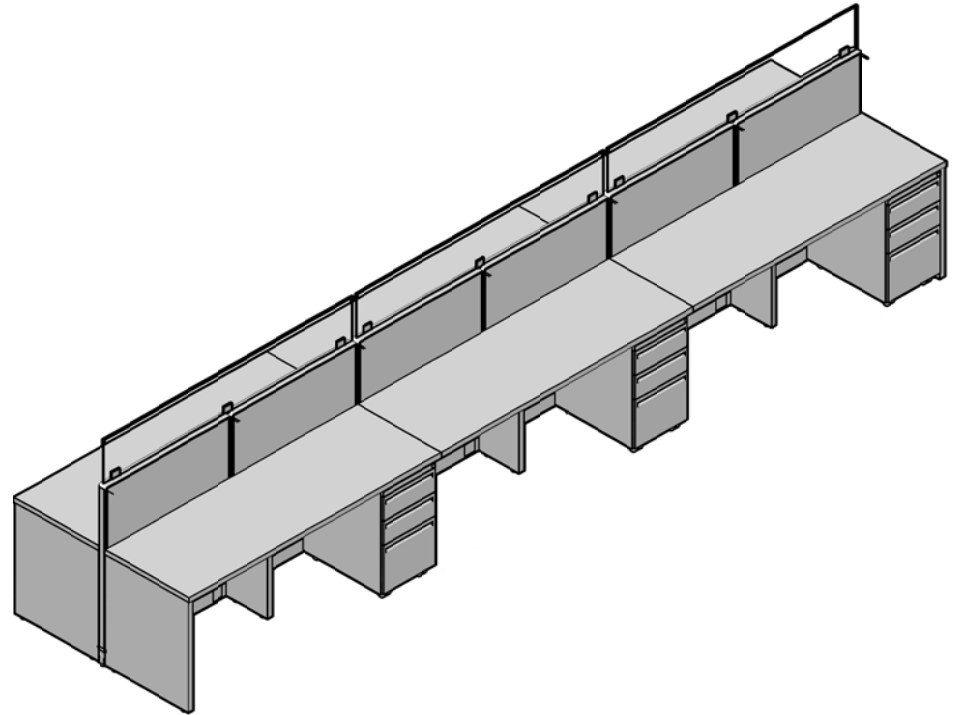
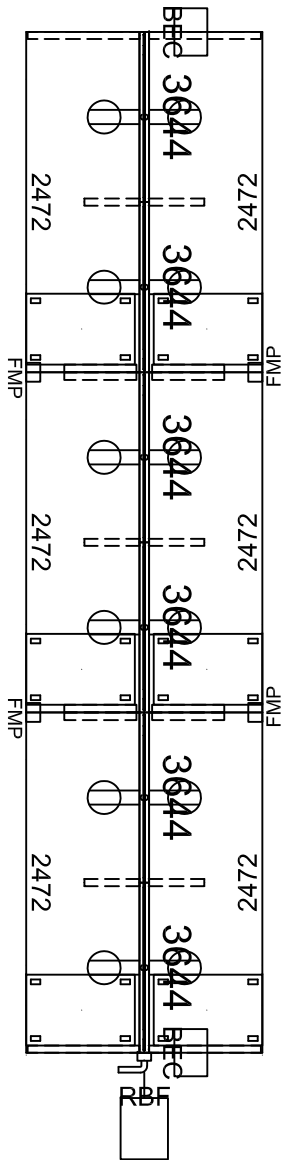
*List price based on four pack configuration

ADDITIONAL REGROUP INFORMATION & PRICING

905 S. MENARD AVE.
CHICAGO, IL 60644



rework
BY ROE



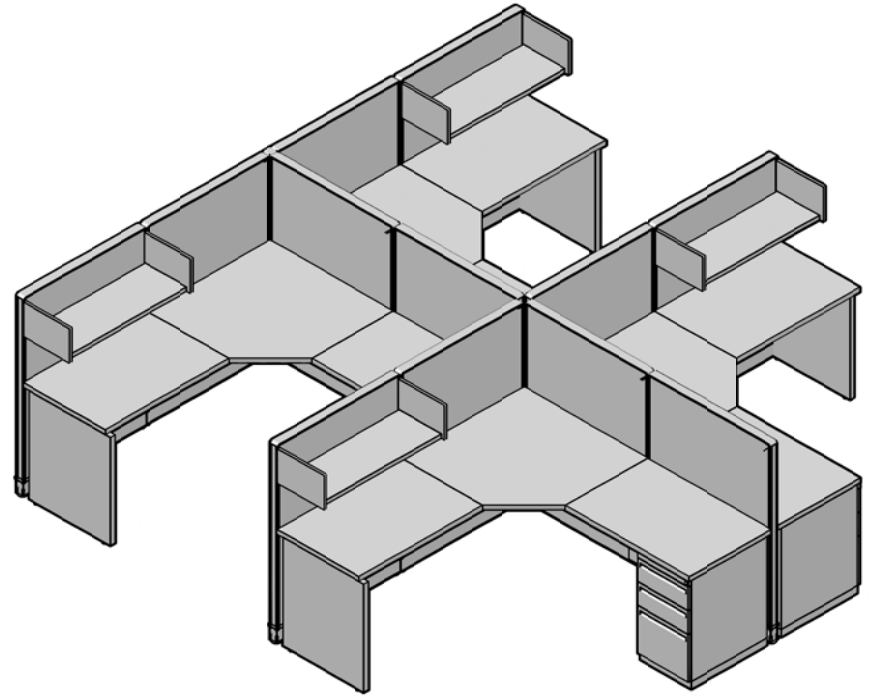
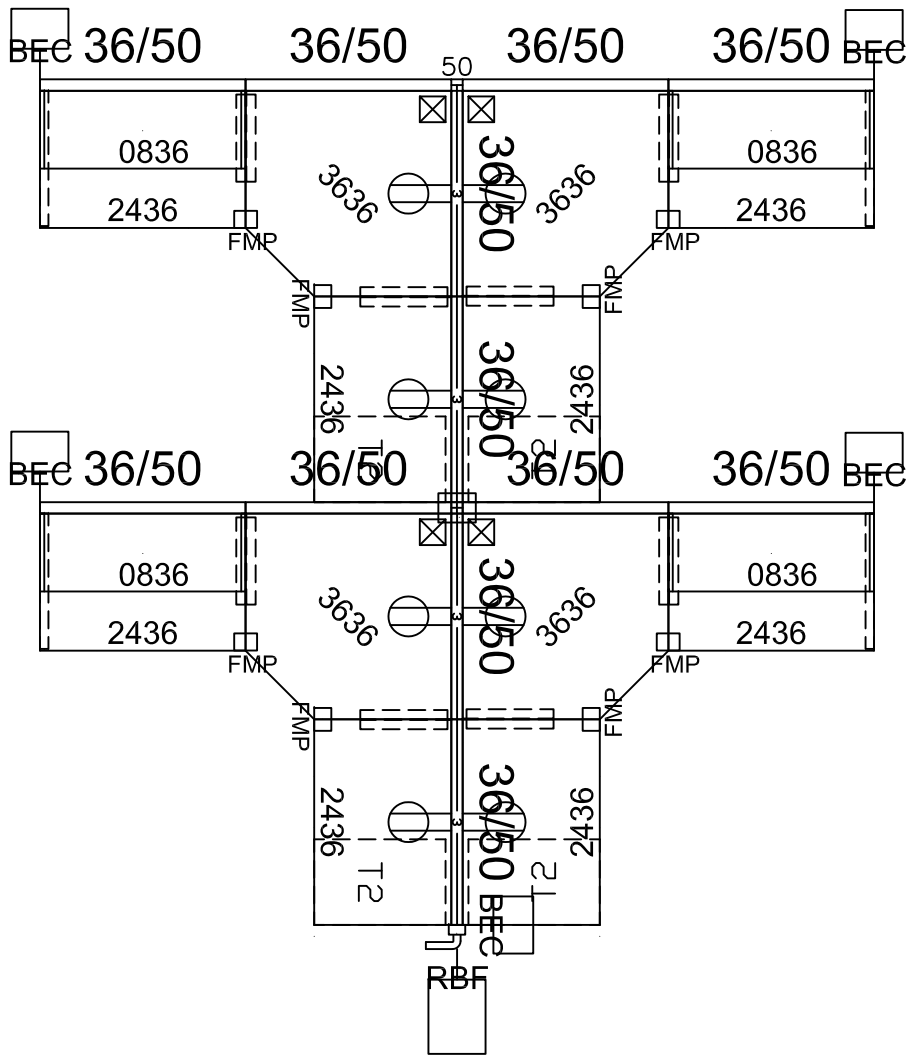
REGROUP 2' X 6' 53"H BENCHING TYPICAL

905 S. MENARD AVE.
CHICAGO, IL 60644

SCALE: NTS DATE: 10.27.15 DRAWN BY: YF



905 S. Menard Ave.
Chicago, IL 60644



REGROUP 6' X 6' 50"H TYPICAL

905 S. MENARD AVE.
CHICAGO, IL 60644

SCALE: NTS DATE: 10.27.15 DRAWN BY: YF



905 S. Menard Ave.
Chicago, IL 60644

